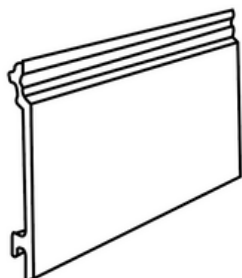


# Gronoclad Premier

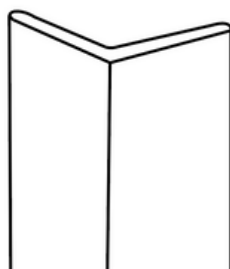
Installation guide



## Components



Gronoclad Board



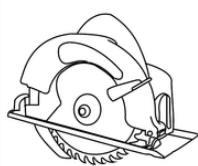
Gronoclad L Trim



Gronoclad Screws (pack of 100)

## Accessories

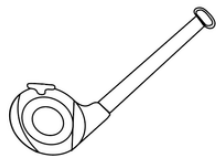
## Tools required



Circular Saw



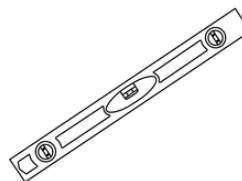
Power Drill



Tape Measure



Rubber Mallet



Spirit Level



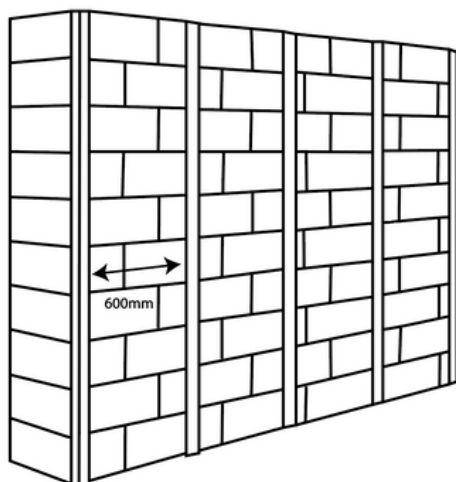
Safety Glasses



Safety Gloves

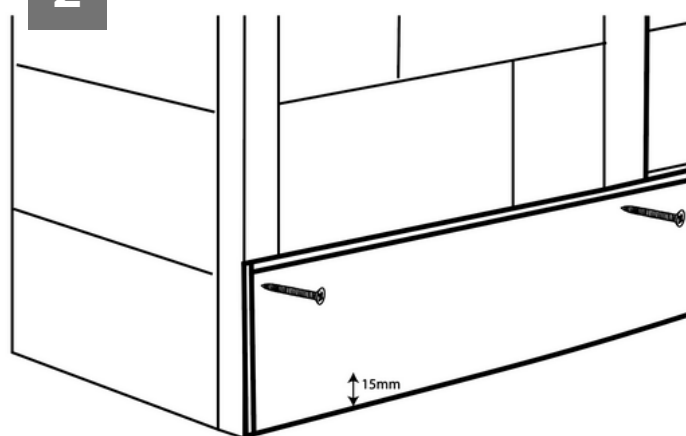
## Steps

1



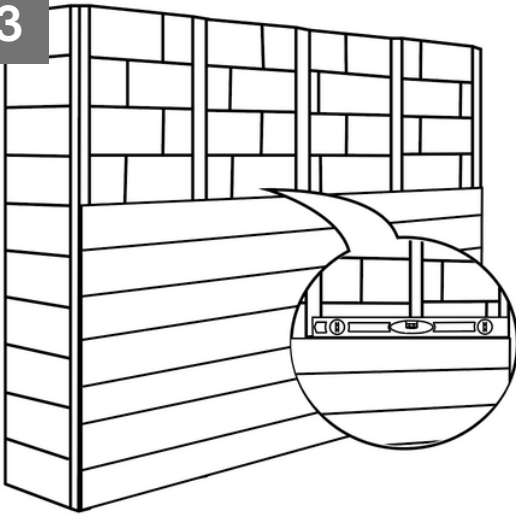
Construct the vertical battens for your Gronoclad installation. We recommend a maximum of 600mm between the battens. Reduce the span for higher buildings. If insulation is required, it should be installed during this stage.

2



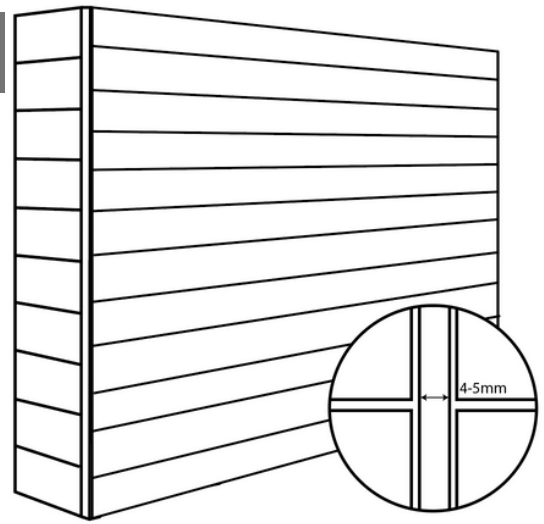
Place the first piece of Gronoclad trim in position using a spirit level at the bottom of the wall, leaving 15mm from the floor. Pilot the holes in line with the battens before screwing the piece into place.

3



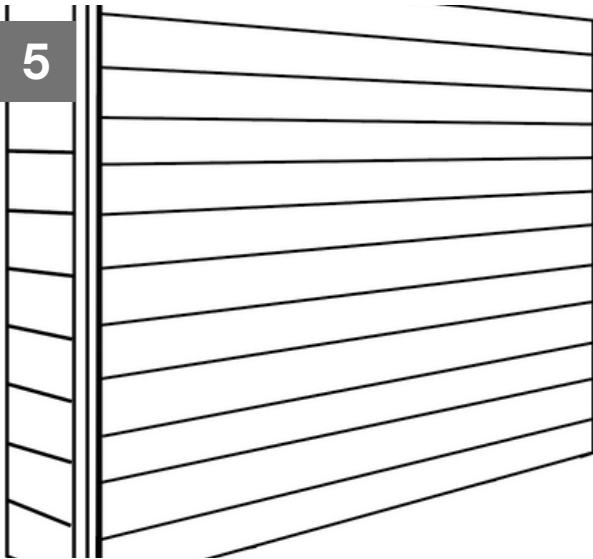
Next, insert the second piece of Gronoclad. Continue to use the spirit level and pilot holes throughout. Then screw the cladding into place and repeat the process up to the top of the wall.

4



Joining the Gronoclad together horizontally you will need to leave a gap for expansion. Allow for a 4-5mm expansion gap between the boards, or if installing in cold weather allow a 6-8mm expansion gap.

5



When two walls of cladding meet you will need to screw an angle trim to the Gronoclad boards to finish off.

## Installation Check List

- Over the initial 12 – 16 weeks you will notice your Gronoclad go through a weathering process in which the colour will start to become slightly lighter. Don't worry this is completely natural and will stabilise over the initial period
- Ensure your expansion gaps are correct: 4-5mm expansion gap between the boards, or if installing in cold weather allow a 6-8mm expansion gap
- Additional battens may be required around window and door openings to provide Clean your Gronoclad regularly, at least twice a year, to prevent mould from growing on your Gronoclad
- When cleaning your Gronoclad, you should scrub along the grain of the boards and use a soft brush to prevent scratches extra support
- Clean your Gronoclad regularly, at least twice a year, to prevent mould from growing on your Gronofence
- Plan a layout for your Gronoclad before starting to ensure the best possible result for your project